

(47) Failure of Capacity Setting

Remote Controller Display

PJ

Applicable Models

RZP-D, RZ(Y)-L, R(Y)-LU, RZQ-K, Inverter (RZQ71F • 90C • 100F) and RZQ-B, RZQS-B7, RZQ-C7, RZQS-C7 Series

P4

PJ

Method of Malfunction Detection

Check whether set value written in E²PROM (at factory) or set value of capacity setting adapter (for replacement) is the same as outdoor unit capacity.

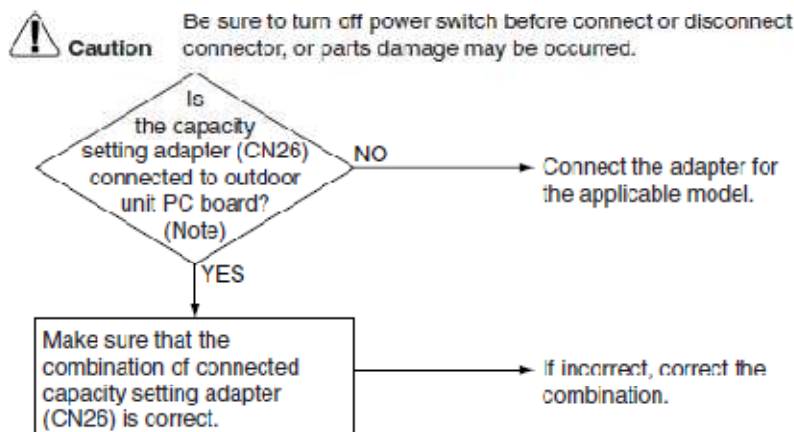
Malfunction Decision Conditions

When the set value on E²PROM differs from the outdoor unit capacity or a capacity setting adapter except for PC board applicable models is installed. (Malfunction decision is made only when turning the power supply on.)

Supposed Causes

- Improper set value of E²PROM
- Improper capacity setting adapter
- Faulty outdoor unit PC board

Troubleshooting



(Note)

Capacity setting adapter is not connected at factory.

(Capacity is written in E²PROM.) Capacity setting adapter is required only when the PC board was replaced with spare PC board.